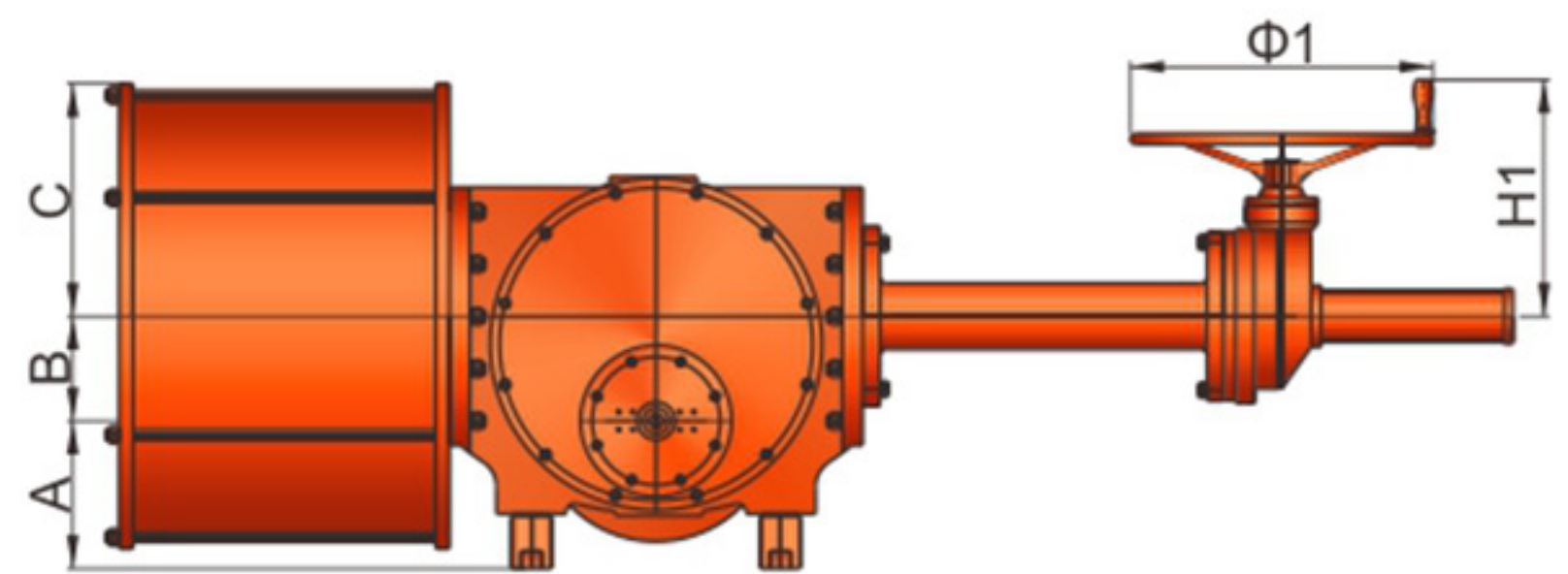
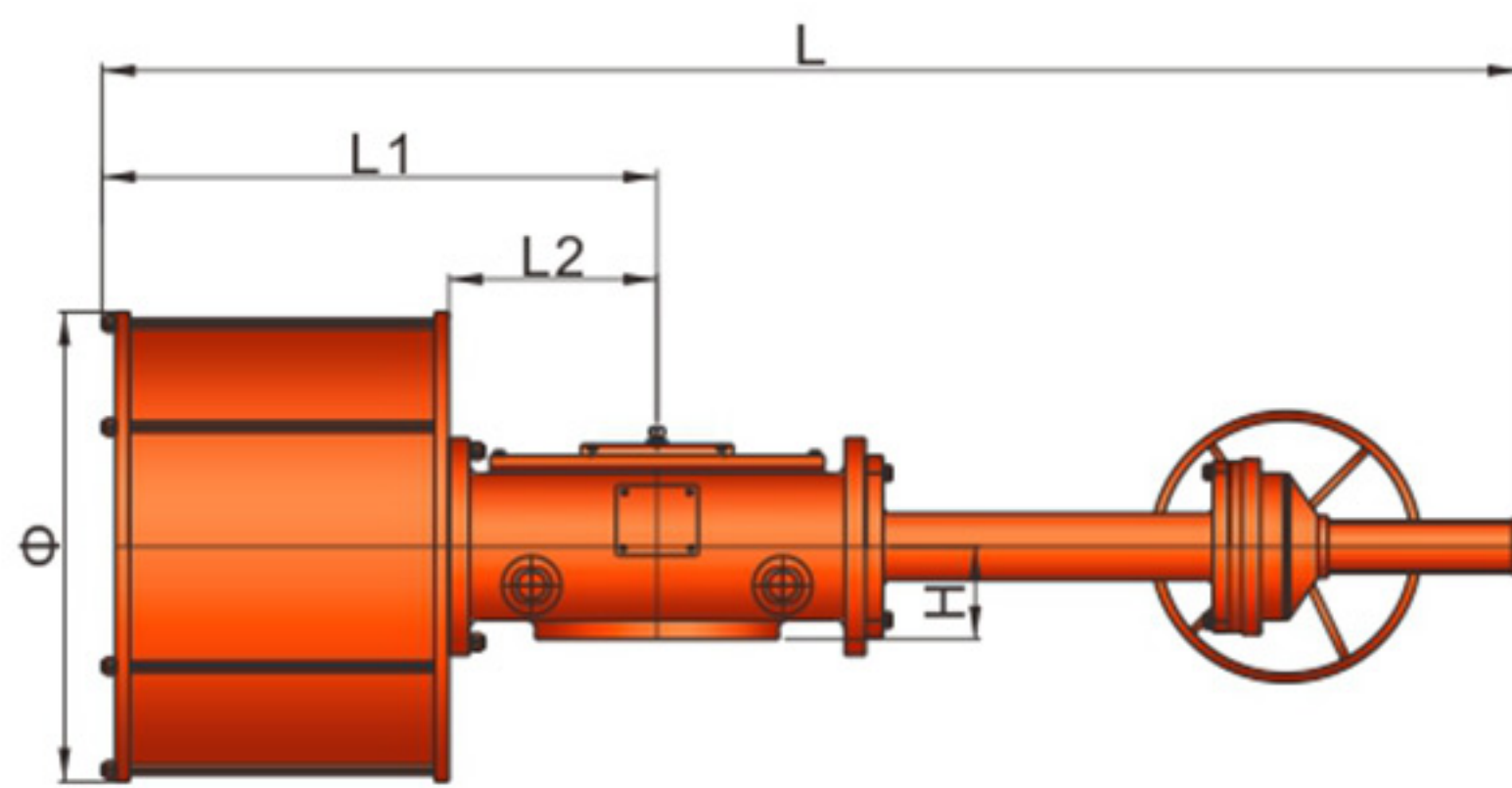


## Outline Dimension

Unit: mm

Model No.	L	L1	L2	Φ	H	A	B	C	Φ1
BC-17DA-250-SD BC-17DA-280-SD	975	428	159	325 355	90	120	65	163 178	300
BC-20DA-300-SD BC-20DA-320-SD	1165	522	192	395 415	106	130	85	198 208	350
BC-22DA-320-SD BC-22DA-360-SD	1285	576	211	415 445	114	130	100	208 223	350
BC-25DA-360-SD BC-25DA-400-SD	1440	650	245	445 495	121	150	110	223 248	450
BC-28DA-400-SD BC-28DA-450-SD	1550	699	264	495 545	131	195	125	248 273	500
BC-32DA-450-SD BC-32DA-500-SD	1640	746	275	545 600	134	208	135	273 300	550
BC-35DA-500-SD BC-40DA-550-SD BC-45DA-600-SD	1890	806	305	- 650 -	136	226	150	- 325 -	650



## Outline Dimension

Unit: mm

Model No.	L	L1	L2	Φ	H	A	B	C	Φ1	H1
BC-50DA-700-SD BC-55DA-800-SD	2420	946	355	800 910	158	254 270	180	400 455	520	410
BC-60DA-850-SD	2986	1160	456	970	190	312	220	485	520	490