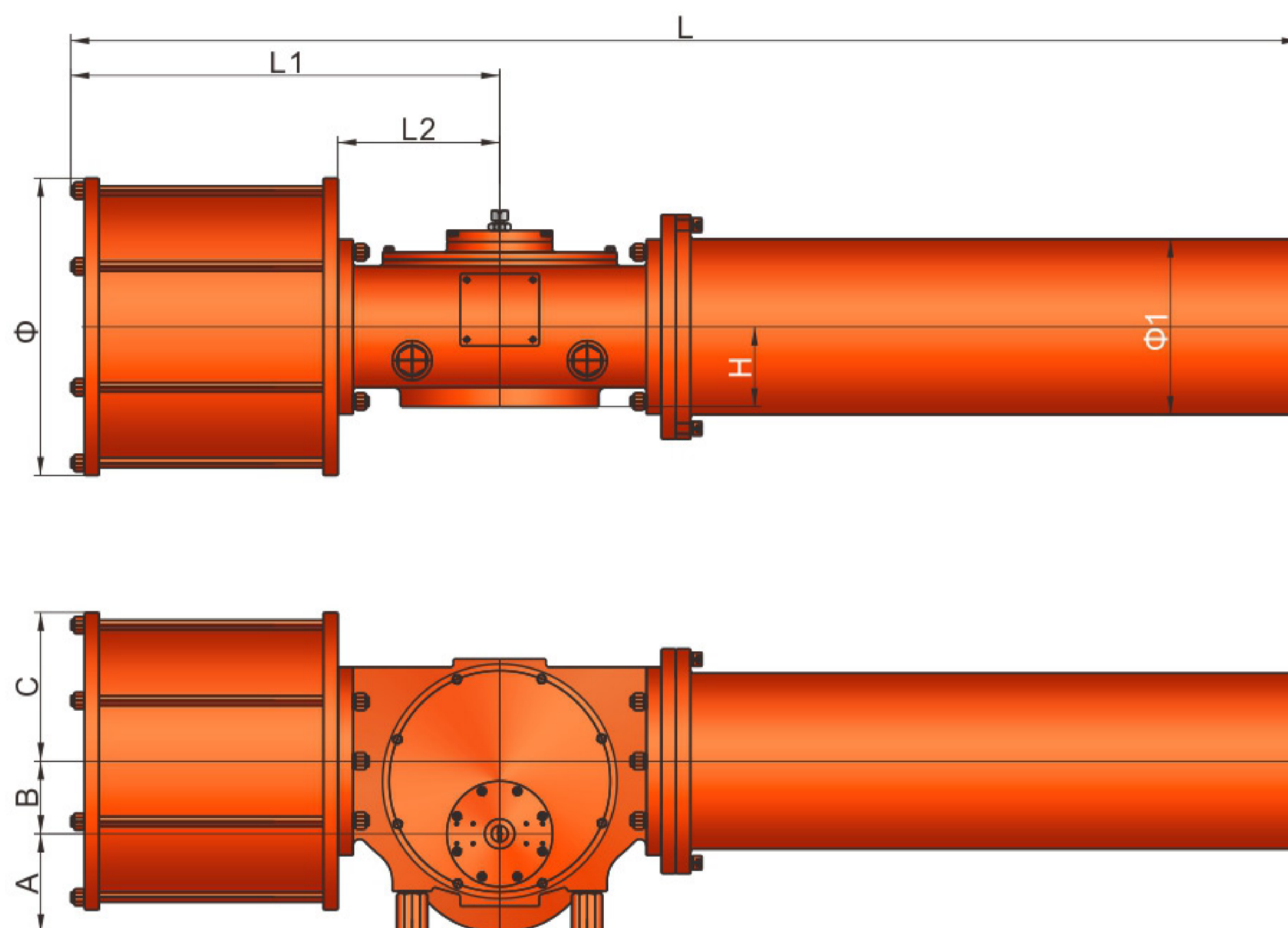


Spring return type



Outline Dimension

Unit: mm

Model No.	L	L1	L2	Φ	H	A	B	C	Φ1
BC-17SR-250 BC-17SR-280	1086	428	159	325 355	90	120	65	163 178	192
BC-20SR-300 BC-20SR-320	1400	522	192	395 415	106	130	85	198 208	213
BC-22SR-320 BC-22SR-360	1508	576	211	415 445	114	130	100	208 223	234
BC-25SR-360 BC-25SR-400	1862	650	245	445 495	121	150	110	223 248	266
BC-28SR-400 BC-28SR-450	1950	699	264	495 545	131	195	125	248 273	300
BC-32SR-450 BC-32SR-500	2075	746	275	545 600	134	208	135	273 300	320
BC-35SR-500 BC-40SR-550 BC-45SR-600	2275 2400	806	305	600 650 700	136	226	150	300 325 350	340 375
BC-50SR-700 BC-55SR-800	2820	950	355	800 910	158	254	180	300 325	400
BC-60SR-850	3810	1160	454	970	191	315	220	485	505